



**Ducts and accessories  
for air-distribution systems**



Project design and execution of construction work including HRV



Opava - Vávrovce



Opava - Jaktář



Opava - Vávrovce

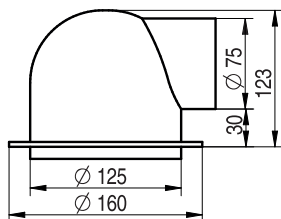


Opava - Stěbořice





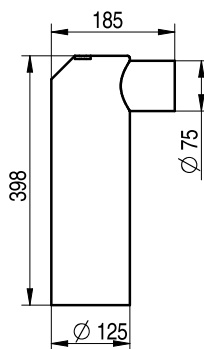
### SV-75/125 Plastic ceiling / Wall outlet



For installation on plasterboard with vapour barrier  
Input for DN 75 flexible piping  
Output for DN 125 table valve  
Material: PP  
Colours may differ  
Supplied components:  
• DN 75 seal O -ring  
• DN 125 cap  
• locking pin



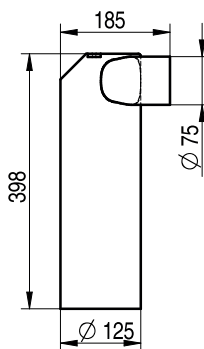
### SVD-75/125 Plastic ceiling / Wall outlet long



For installation on plasterboard with vapour barrier  
Input for DN 75 flexible piping  
Output for DN 125 table valve  
Material: PP  
Supplied components:  
• DN 75 seal O -ring  
• DN 125 cap  
• 1 locking clip  
Made to **ORDER** only

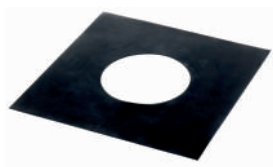


### SVD-2x75/125 Plastic ceiling / Wall outlet long



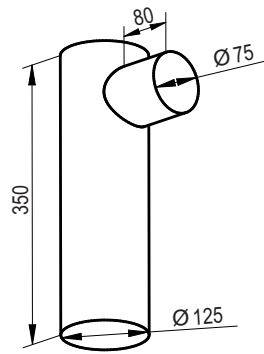
For installation on plasterboard with vapour barrier  
Input for DN 75 flexible piping  
Output for DN 125 table valve  
Material: PP  
Supplied components:  
• 2 DN 75 seal O -rings  
• DN 125 cap  
• 2 locking clips

### TM-125 Sealing collar



For metal and plastic  
Ø 110 - 140 mm outlet vents  
Weather, UV resistant, ozone  
Material: EPDM  
Colour: black

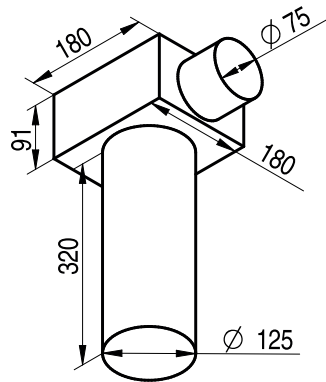
**KLOZ-1x75/125-0C** Pass-through ceiling / Wall box for DN 125 air valve



- Material: galvanised steel  
Supplied components:
- DN 125 plug
  - safeguards against movement of the flexible piping
  - 1 DN 75 sealing ring

Airflow speed m/s	2	2,5	3
Volume m <sup>3</sup> /h (1x75)	21	26	32

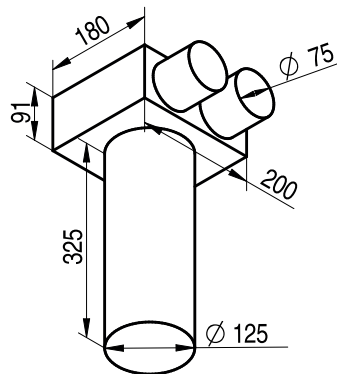
**KLO-1x75/125-0C** Pass-through ceiling / Wall box for DN 125 air valve



- Material: galvanised steel  
Supplied components:
- DN 125 plug
  - installation fixtures
  - safeguards against movement of the flexible piping
  - 1 DN 75 sealing ring

Airflow speed m/s	2	2,5	3
Volume m <sup>3</sup> /h (1x75)	21	26	32

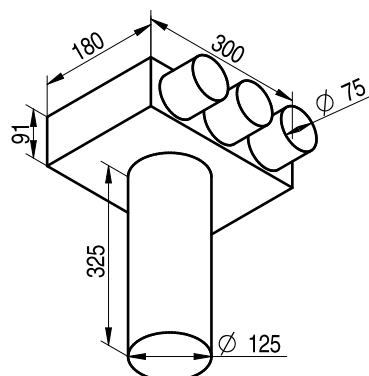
**KLO-2x75/125-0C** Pass-through ceiling / Wall box for DN 125 air valve



- Material: galvanised steel  
Supplied components:
- DN 125 plug
  - installation fixtures
  - safeguards against movement of the flexible piping
  - 2 DN 75 sealing rings

Airflow speed m/s	2	2,5	3
Volume m <sup>3</sup> /h (1x75)	21	26	32
Volume m <sup>3</sup> /h (2x75)	42	52	64

**KLO-3x75/125-0C** Pass-through ceiling / Wall box for DN 125 air valve



- Material: galvanised steel  
Supplied components:
- DN 125 plug
  - installation fixtures
  - safeguards against movement of the flexible piping
  - 3 DN 75 sealing rings

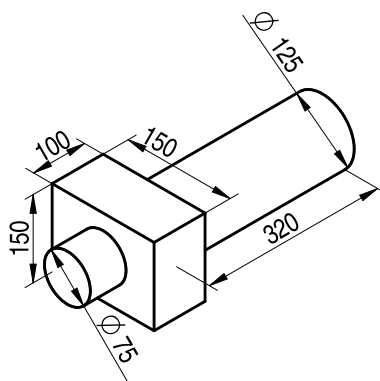
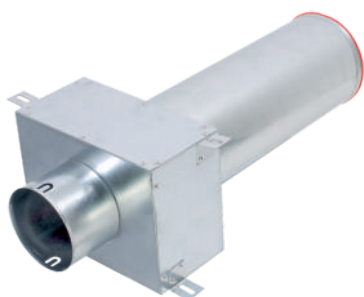
Airflow speed m/s	2	2,5	3
Volume m <sup>3</sup> /h (1x75)	21	26	32
Volume m <sup>3</sup> /h (2x75)	42	52	64
Volume m <sup>3</sup> /h (3x75)	63	78	96

### TM-125 Sealing collar



For metal and plastic  
Ø 110 - 140 mm outlet vents  
Weather, UV resistant, ozone  
Material: EPDM  
Colour: black

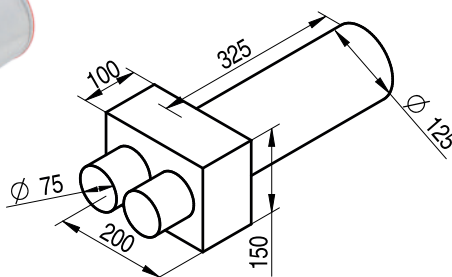
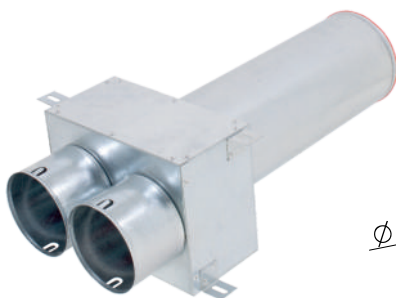
### KLO-1x75/P-125-0C Pass-through flat ceiling / Wall box for DN 125 air valve



Material: galvanised steel  
Supplied components:  
• DN 125 plug  
• installation fixtures  
• safeguards against movement of the flexible piping  
• 1 DN 75 sealing ring

Airflow speed m/s	2	2,5	3
Volume m <sup>3</sup> /h (1x75)	21	26	32

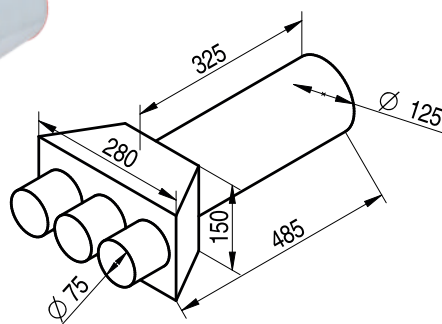
### KLO-2x75/P-125-0C Pass-through flat ceiling / Wall box for DN 125 air valve



Material: galvanised steel  
Supplied components:  
• DN 125 plug  
• installation fixtures  
• safeguards against movement of the flexible piping  
• 2 DN 75 sealing rings

Airflow speed m/s	2	2,5	3
Volume m <sup>3</sup> /h (1x75)	21	26	32
Volume m <sup>3</sup> /h (2x75)	42	52	64

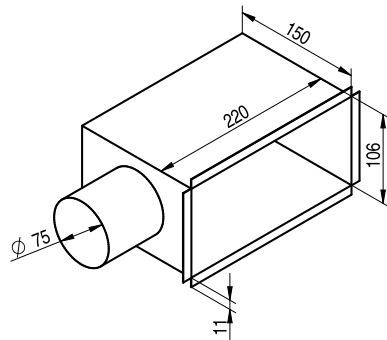
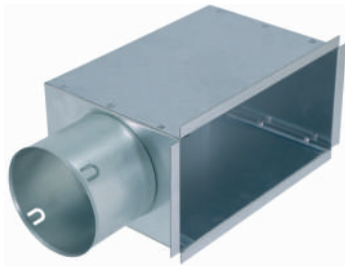
### KLO-3x75/P-125-0C Pass-through flat ceiling / Wall box for DN 125 air valve



Material: galvanised steel  
Supplied components:  
• DN 125 plug  
• installation fixtures  
• safeguards against movement of the flexible piping  
• 3 DN 75 sealing rings

Airflow speed m/s	2	2,5	3
Volume m <sup>3</sup> /h (1x75)	21	26	32
Volume m <sup>3</sup> /h (2x75)	42	52	64
Volume m <sup>3</sup> /h (3x75)	63	78	96

### KLOQ/KR-1x75-OC Wall box



Material: galvanised steel

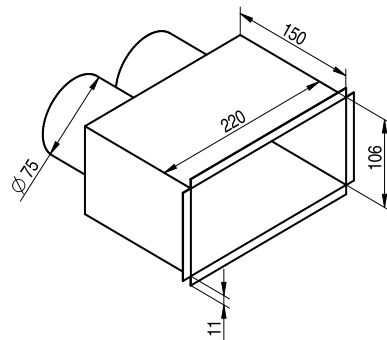
Supplied components:

- safeguards against movement of the flexible piping
- 1 DN 75 sealing ring

The deflection grill **IS NOT** part of the box

Airflow speed m/s	2	2,5	3
Volume m <sup>3</sup> /h (1x75)	21	26	32

### KLOQ/KR-2x75-OC Wall box



Material: galvanised steel

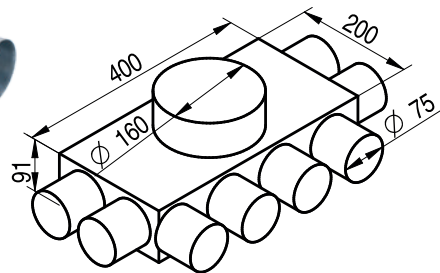
Supplied components:

- safeguards against movement of the flexible pipings
- 2 DN 75 sealing rings

The deflection grill **IS NOT** part of the box

Airflow speed m/s	2	2,5	3
Volume m <sup>3</sup> /h (1x75)	21	26	32
Volume m <sup>3</sup> /h (2x75)	42	52	64

### KL-8x75/160-OC Flat distribution box



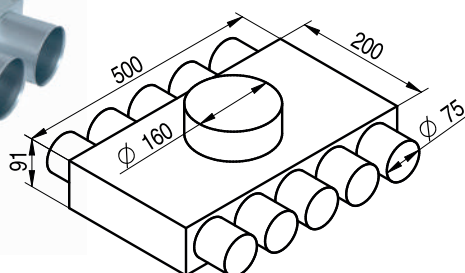
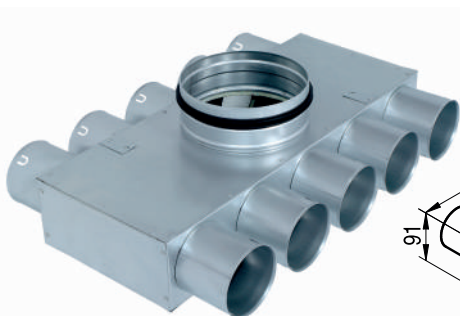
Material: galvanised steel

Supplied components:

- DN 160 seal O -ring
- installation fixtures
- safeguards against movement of the flexible piping
- 8 DN 75 sealing rings
- interior box insulation\*

Airflow speed m/s	2	2,5	3
Volume m <sup>3</sup> /h (8x75)	168	208	256

### KL-10x75/160-OC Flat distribution box



Material: galvanised steel

Supplied components:

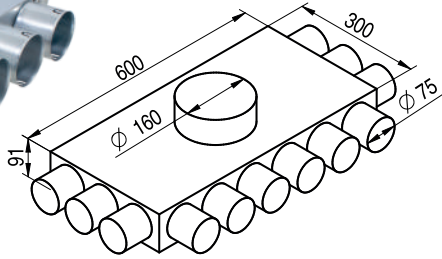
- DN 160 seal O -ring
- installation fixtures
- safeguards against movement of the flexible piping
- 10 DN 75 sealing rings
- interior box insulation\*

Airflow speed m/s	2	2,5	3
Volume m <sup>3</sup> /h (10x75)	210	260	320

\* hygienical



### KL-12x75/160-OC Flat distribution box

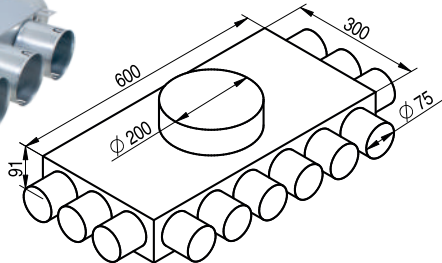


- Material: galvanised steel  
Supplied components:
- DN 160 seal O -ring
  - installation fixtures
  - safeguards against movement of the flexible piping
  - 12 DN 75 sealing rings
  - interior box insulation\*

Airflow speed m/s	2	2,5	3
Volume m <sup>3</sup> /h (12x75)	252	312	384

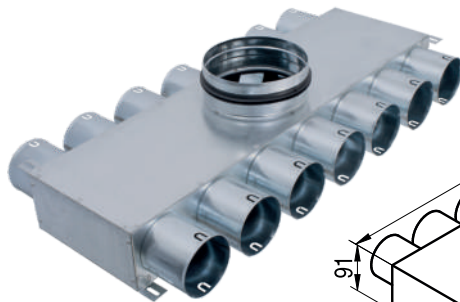


### KL-12x75/200-OC Flat distribution box

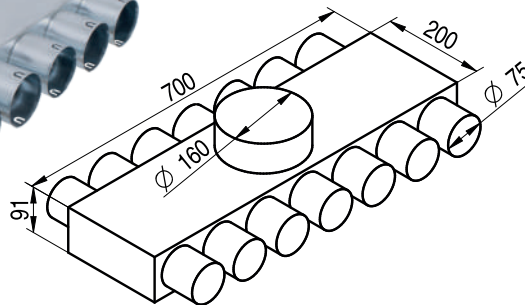


- Material: galvanised steel  
Supplied components:
- DN 200 seal O -ring
  - installation fixtures
  - safeguards against movement of the flexible piping
  - 12 DN 75 sealing rings
  - interior box insulation\*

Airflow speed m/s	2	2,5	3
Volume m <sup>3</sup> /h (12x75)	252	312	384



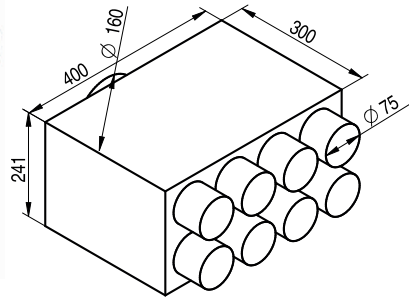
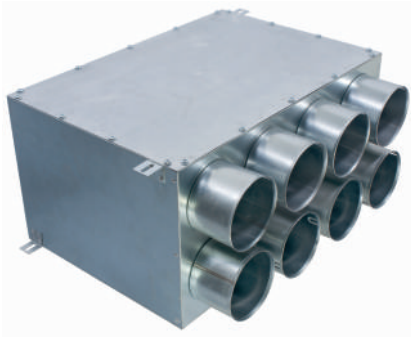
### KL-14x75/160-OC Flat distribution box



- Material: galvanised steel  
Supplied components:
- DN 160 seal O -ring
  - installation fixtures
  - safeguards against movement of the flexible piping
  - 14 DN 75 sealing rings
  - interior box insulation\*

Airflow speed m/s	2	2,5	3
Volume m <sup>3</sup> /h (14x75)	294	364	448

### RT2R-8x75/160-OC Direct distribution box



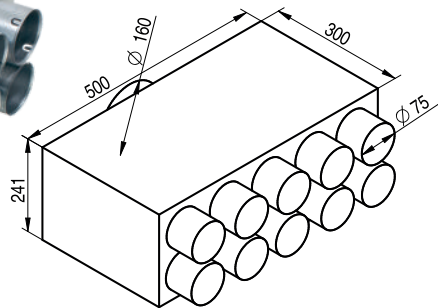
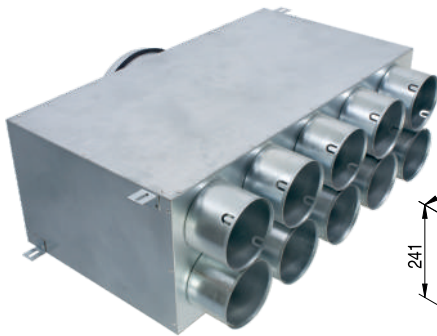
Material: galvanised steel

Supplied components:

- DN 160 seal O -ring
- installation fixtures
- safeguards against movement of the flexible piping
- 8 DN 75 sealing rings
- interior box insulation\*
- inspection hatch

Airflow speed m/s	2	2,5	3
Volume m <sup>3</sup> /h (8x75)	168	208	256

### RT2R-10x75/160-OC Direct distribution box



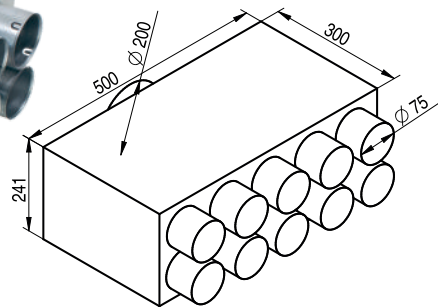
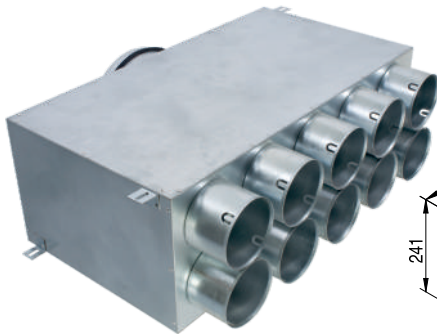
Material: galvanised steel

Supplied components:

- DN 160 seal O -ring
- installation fixtures
- safeguards against movement of the flexible piping
- 10 DN 75 sealing rings
- interior box insulation\*
- inspection hatch

Airflow speed m/s	2	2,5	3
Volume m <sup>3</sup> /h (10x75)	210	260	320

### RT2R-10x75/200-OC Direct distribution box



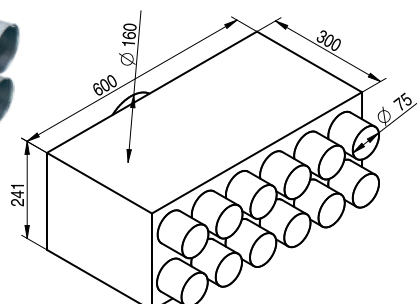
Material: galvanised steel

Supplied components:

- DN 200 seal O -ring
- installation fixtures
- safeguards against movement of the flexible piping
- 10 DN 75 sealing rings
- interior box insulation\*
- inspection hatch

Airflow speed m/s	2	2,5	3
Volume m <sup>3</sup> /h (10x75)	210	260	320

### RT2R-12x75/160-OC Direct distribution box



Material: galvanised steel

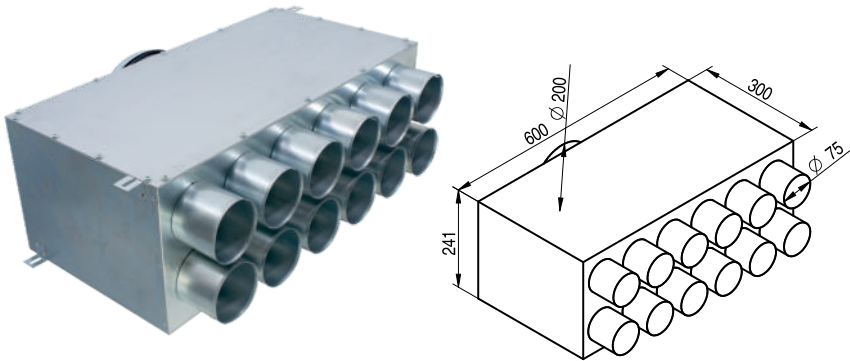
Supplied components:

- DN 160 seal O -ring
- installation fixtures
- safeguards against movement of the flexible piping
- 12 DN 75 sealing rings
- interior box insulation\*
- inspection hatch

Airflow speed m/s	2	2,5	3
Volume m <sup>3</sup> /h (12x75)	252	312	384

\* hygienical

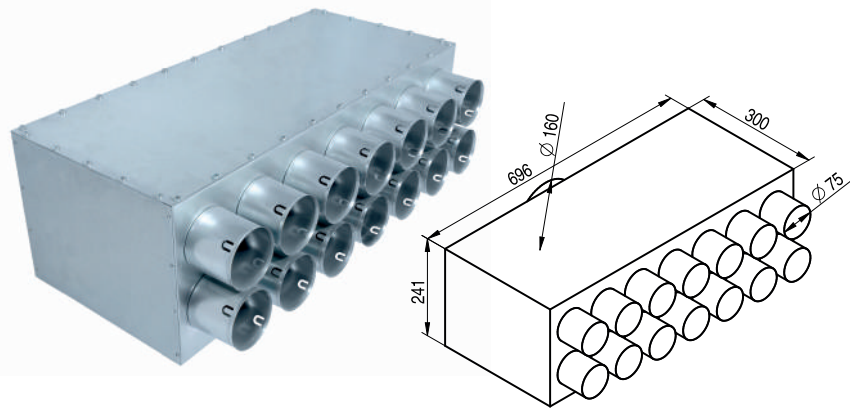
### RT2R-12x75/200-OC Direct distribution box



- Material: galvanised steel  
Supplied components:
- DN 200 seal O -ring
  - installation fixtures
  - safeguards against movement of the flexible piping
  - 12 DN 75 sealing rings
  - interior box insulation\*
  - inspection hatch

Airflow speed m/s	2	2,5	3
Volume m <sup>3</sup> /h (12x75)	252	312	384

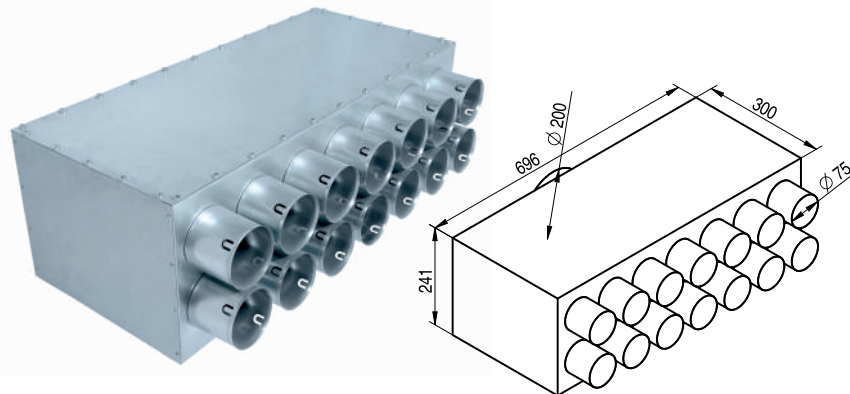
### RT2R-14x75/160-OC Direct distribution box



- Material: galvanised steel  
Supplied components:
- DN 160 seal O -ring
  - installation fixtures
  - safeguards against movement of the flexible piping
  - 14 DN 75 sealing rings
  - interior box insulation\*
  - inspection hatch

Airflow speed m/s	2	2,5	3
Volume m <sup>3</sup> /h (14x75)	294	364	448

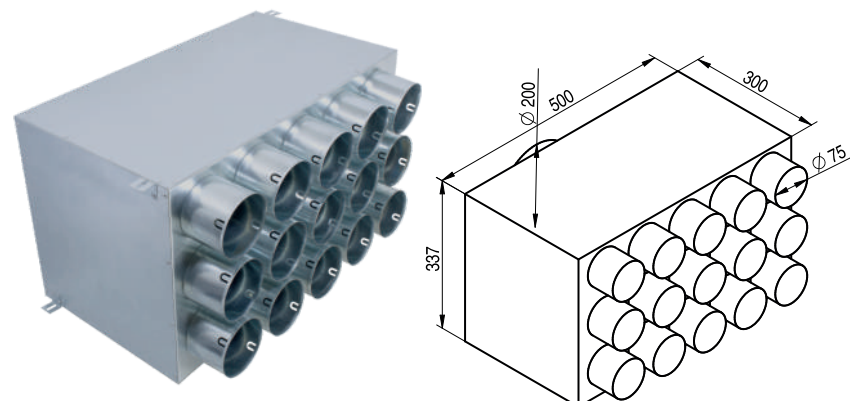
### RT2R-14x75/200-OC Direct distribution box



- Material: galvanised steel  
Supplied components:
- DN 200 seal O -ring
  - installation fixtures
  - safeguards against movement of the flexible piping
  - 14 DN 75 sealing rings
  - interior box insulation\*
  - inspection hatch

Airflow speed m/s	2	2,5	3
Volume m <sup>3</sup> /h (14x75)	294	364	448

### RT3R-15x75/200-OC Direct distribution box

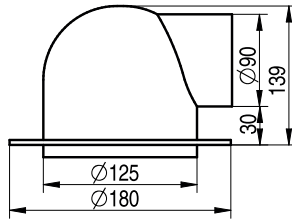


- Material: galvanised steel  
Supplied components:
- DN 200 seal O -ring
  - installation fixtures
  - safeguards against movement of the flexible piping
  - 15 DN 75 sealing rings
  - interior box insulation\*
  - inspection hatch

Airflow speed m/s	2	2,5	3
Volume m <sup>3</sup> /h (15x75)	312	390	480

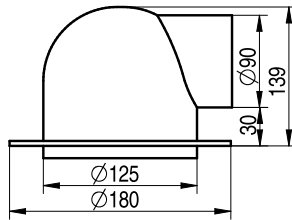
\* hygienical

**SV-90/125** Plastic ceiling / Wall outlet



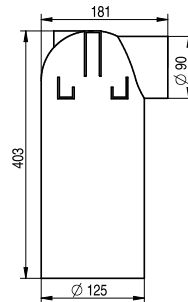
For installation on plasterboard with vapour barrier  
 Input for DN 90 flexible piping  
 Output for DN 125 table valve  
 Material: PP  
 Colours may differ  
 Supplied components:  
 • DN 90 seal O -ring  
 • DN 125 cap  
 • locking pin

**SVV-90/125** Plastic ceiling / Wall outlet



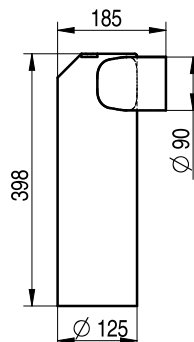
For installation on plasterboard with vapour barrier  
 Input for DN 90 flexible piping  
 Output for DN 125 table valve  
 Material: PP  
 Supplied components:  
 • installation screws  
 • DN 90 seal O -ring  
 • DN 125 cap  
 Made to **ORDER** only

**SVD-90/125** Plastic ceiling / Wall outlet long



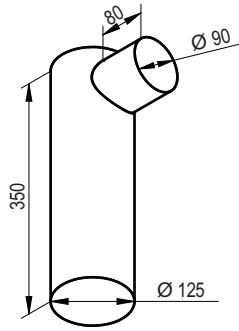
For installation on plasterboard with vapour barrier  
 Input for DN 90 flexible piping  
 Output for DN 125 table valve  
 Material: PP  
 Supplied components:  
 • DN 90 seal O -ring  
 • DN 125 cap  
 • 2 locking pins

**SVD-2x90/125** Plastic ceiling / Wall outlet long



For installation on plasterboard with vapour barrier  
 Input for DN 90 flexible piping  
 Output for DN 125 table valve  
 Material: PP  
 Supplied components:  
 • 2 DN 90 seal O -rings  
 • DN 125 cap  
 • 2 locking clips

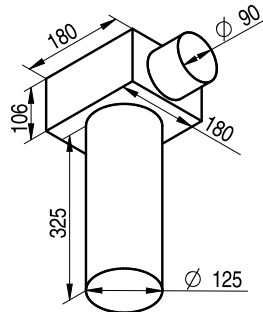
**KLOZ-1x90/125-OC** Pass-through ceiling / Wall box for DN 125 air valve



- Material: galvanised steel  
Supplied components:
- DN 125 plug
  - safeguards against movement of the flexible piping
  - 1 DN 90 sealing ring

Airflow speed m/s	2	2,5	3
Volume m <sup>3</sup> /h (1x90)	32	40	48

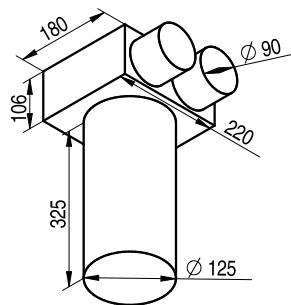
**KLO-1x90/125-OC** Pass-through ceiling / Wall box for DN 125 air valve



- Material: galvanised steel  
Supplied components:
- DN 125 plug
  - safeguards against movement of the flexible piping
  - installation fixtures
  - 1 DN 90 sealing ring

Airflow speed m/s	2	2,5	3
Volume m <sup>3</sup> /h (1x90)	32	40	48

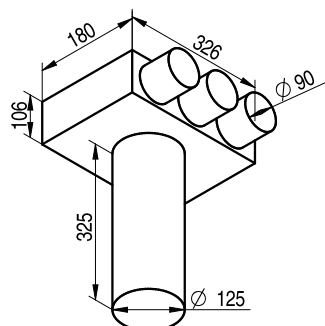
**KLO-2x90/125-OC** Pass-through ceiling / Wall box for DN 125 air valve



- Material: galvanised steel  
Supplied components:
- DN 125 plug
  - safeguards against movement of the flexible piping
  - installation fixtures
  - 2 DN 90 sealing rings

Airflow speed m/s	2	2,5	3
Volume m <sup>3</sup> /h (1x90)	32	40	48
Volume m <sup>3</sup> /h (2x90)	64	80	96

**KLO-3x90/125-OC** Pass-through ceiling / Wall box for DN 125 air valve



- Material: galvanised steel  
Supplied components:
- DN 125 plug
  - safeguards against movement of the flexible piping
  - installation fixtures
  - 3 DN 90 sealing rings

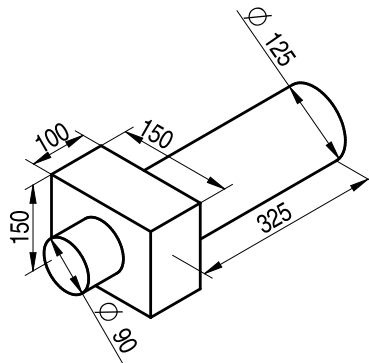
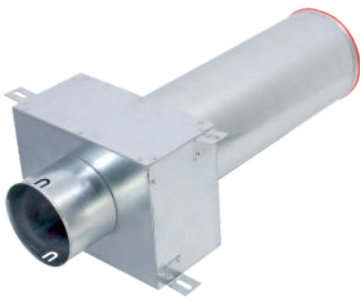
Airflow speed m/s	2	2,5	3
Volume m <sup>3</sup> /h (1x90)	32	40	48
Volume m <sup>3</sup> /h (2x90)	64	80	96
Volume m <sup>3</sup> /h (3x90)	96	120	144

**TM-125** Sealing collar



For metal and plastic  
 Ø 110 - 140 mm outlet vents  
 Weather, UV resistant, ozone  
 Material: EPDM  
 Colour: black

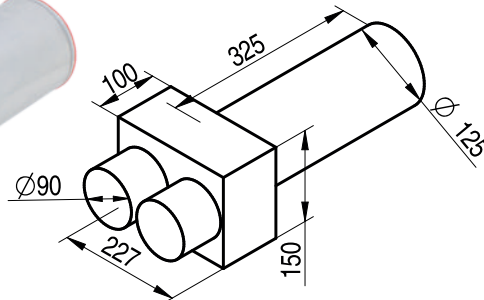
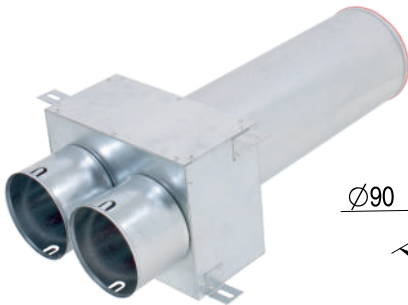
**KLO-1x90/P-125-0C** Pass-through flat ceiling / Wall box for DN 125 air valve



Material: galvanised steel  
 Supplied components:  
 • DN 125 plug  
 • safeguards against movement of the flexible piping  
 • installation fixtures  
 • 1 DN 90 sealing ring

Airflow speed m/s	2	2,5	3
Volume m <sup>3</sup> /h (1x90)	32	40	48

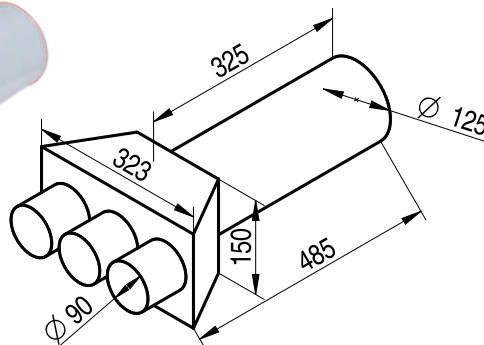
**KLO-2x90/P-125-0C** Pass-through flat ceiling / Wall box for DN 125 air valve



Material: galvanised steel  
 Supplied components:  
 • DN 125 plug  
 • safeguards against movement of the flexible piping  
 • installation fixtures  
 • 2 DN 90 sealing rings

Airflow speed m/s	2	2,5	3
Volume m <sup>3</sup> /h (1x90)	32	40	48
Volume m <sup>3</sup> /h (2x90)	64	80	96

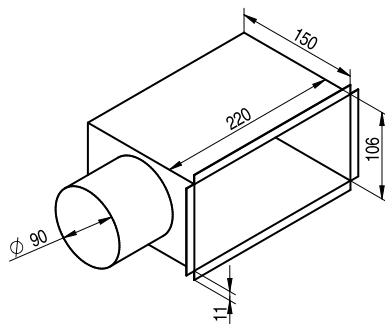
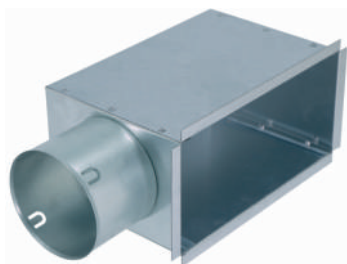
**KLO-3x90/P-125-0C** Pass-through flat ceiling / Wall box for DN 125 air valve



Material: galvanised steel  
 Supplied components:  
 • DN 125 plug  
 • safeguards against movement of the flexible piping  
 • installation fixtures  
 • 3 DN 90 sealing rings

Airflow speed m/s	2	2,5	3
Volume m <sup>3</sup> /h (1x90)	32	40	48
Volume m <sup>3</sup> /h (2x90)	64	80	96
Volume m <sup>3</sup> /h (3x90)	96	120	144

### KLOQ/KR-1x90-0C Wall box



Material: galvanised steel

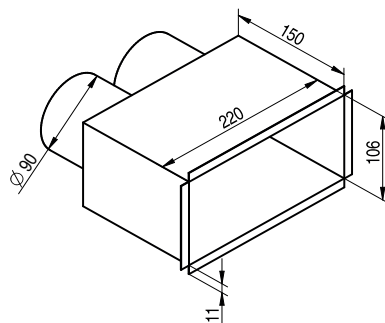
Supplied components:

- safeguards against movement of the flexible piping
- 1 DN 90 sealing ring

The deflection grille **IS NOT** part of the fox

Airflow speed m/s	2	2,5	3
Volume m <sup>3</sup> /h (1x90)	32	40	48

### KLOQ/KR-2x90-0C Wall box



Material: galvanised steel

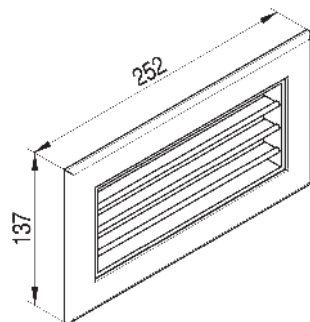
Supplied components:

- safeguards against movement of the flexible piping
- 2 DN 90 sealing rings

The deflection grille **IS NOT** part of the fox

Airflow speed m/s	2	2,5	3
Volume m <sup>3</sup> /h (1x90)	32	40	48
Volume m <sup>3</sup> /h (2x90)	64	80	96

### AD11-220-104-C-03 Deflection grille



Material: anodized aluminium

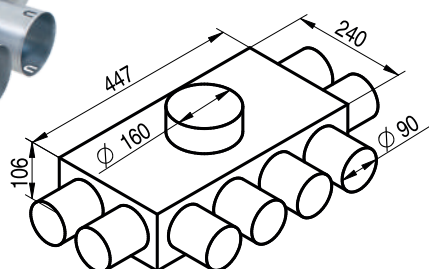
Colour: white RAL 9003

With adjustable blades, the grille is very useful for air supply and can be adapted to the required throw and air spread pattern

Supplied components:

- 4 adjustable clips
- Made to **ORDER** only

### KL-8x90/160-0C Flat distribution box



Material: galvanised steel

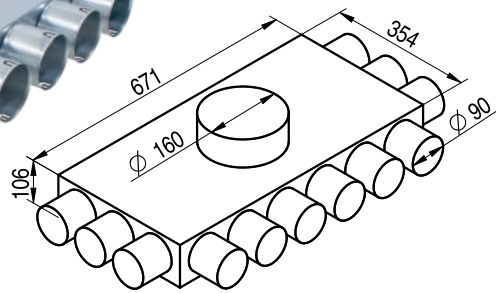
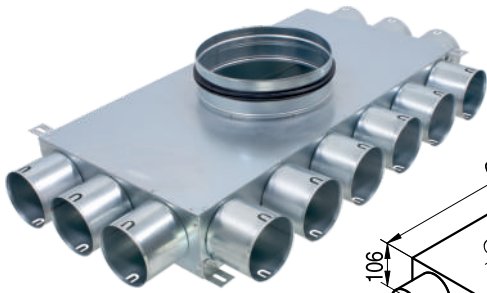
Supplied components:

- DN 160 seal O -ring
- installation fixtures
- safeguards against movement of the flexible piping
- 8 DN 90 sealing rings
- interior box insulation\*

Airflow speed m/s	2	2,5	3
Volume m <sup>3</sup> /h (8x90)	256	320	384

\* hygienical

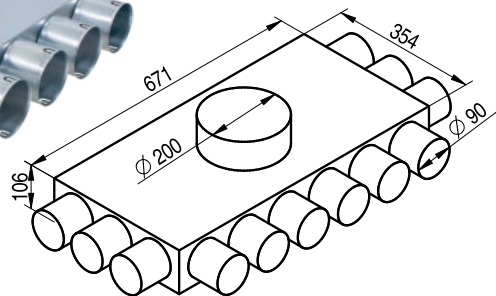
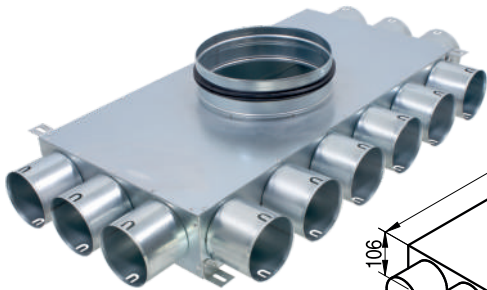
### KL-12x90/160-OC Flat distribution box



- Material: galvanised steel  
Supplied components:
- DN 160 seal O -ring
  - installation fixtures
  - safeguards against movement of the flexible piping
  - 12 DN 90 sealing rings
  - interior box insulation\*

Airflow speed m/s	2	2,5	3
Volume m <sup>3</sup> /h (12x90)	384	480	576

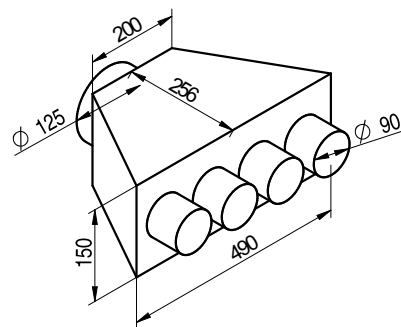
### KL-12x90/200-OC Flat distribution box



- Material: galvanised steel  
Supplied components:
- DN 200 seal O -ring
  - installation fixtures
  - safeguards against movement of the flexible piping
  - 12 DN 90 sealing rings
  - interior box insulation\*

Airflow speed m/s	2	2,5	3
Volume m <sup>3</sup> /h (12x90)	384	480	576

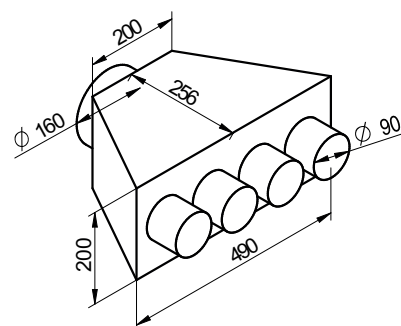
### RT1RQ-4x90/125-OC Direct distribution box



- Material: galvanised steel  
Supplied components:
- DN 125 seal O -ring
  - installation fixtures
  - safeguards against movement of the flexible piping
  - 4 DN 90 sealing rings
  - interior box insulation\*
  - inspection hatch

Airflow speed m/s	2	2,5	3
Volume m <sup>3</sup> /h (4x90)	128	160	192

### RT1RQ-4x90/160-OC Direct distribution box

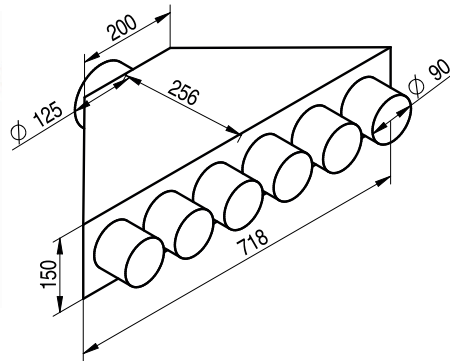


- Material: galvanised steel  
Supplied components:
- DN 160 seal O -ring
  - installation fixtures
  - safeguards against movement of the flexible piping
  - 4 DN 90 sealing rings
  - interior box insulation\*
  - inspection hatch

Airflow speed m/s	2	2,5	3
Volume m <sup>3</sup> /h (4x90)	128	160	192

\* hygienical

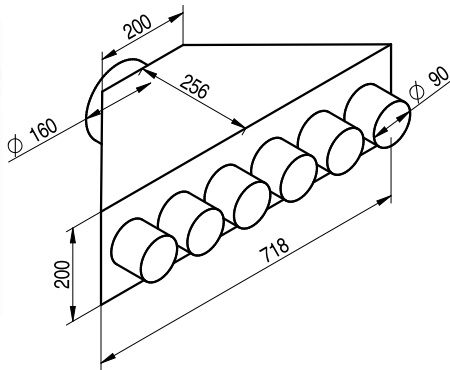
### RT1RQ-6x90/125-OC Direct distribution box



- Material: galvanised steel  
Supplied components:
- DN 125 seal O -ring
  - installation fixtures
  - safeguards against movement of the flexible piping
  - 6 DN 90 sealing rings
  - interior box insulation\*
  - inspection hatch

Airflow speed m/s	2	2,5	3
Volume m <sup>3</sup> /h (6x90)	192	240	288

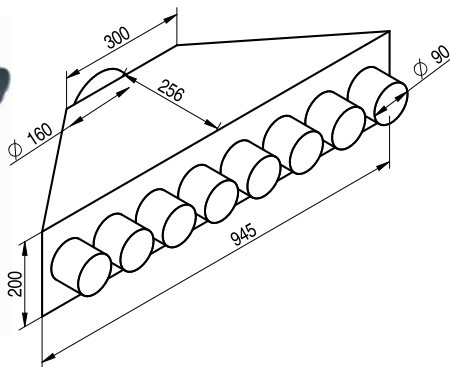
### RT1RQ-6x90/160-OC Direct distribution box



- Material: galvanised steel  
Supplied components:
- DN 160 seal O -ring
  - installation fixtures
  - safeguards against movement of the flexible piping
  - 6 DN 90 sealing rings
  - interior box insulation\*
  - inspection hatch

Airflow speed m/s	2	2,5	3
Volume m <sup>3</sup> /h (6x90)	192	240	288

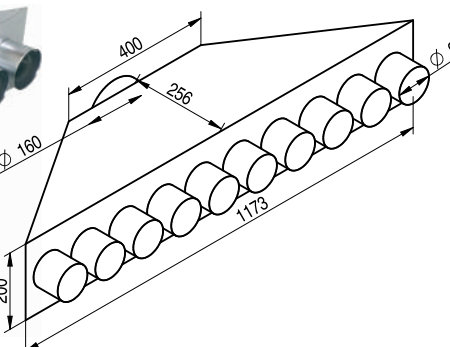
### RT1RQ-8x90/160-OC Direct distribution box



- Material: galvanised steel  
Supplied components:
- DN 160 seal O -ring
  - installation fixtures
  - safeguards against movement of the flexible piping
  - 8 DN 90 sealing rings
  - interior box insulation\*
  - inspection hatch

Airflow speed m/s	2	2,5	3
Volume m <sup>3</sup> /h (8x90)	256	320	384

### RT1RQ-10x90/160-OC Direct distribution box

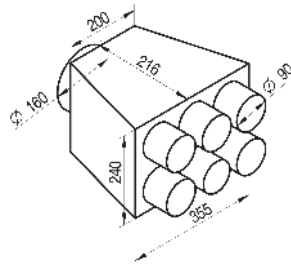
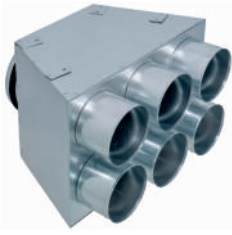


- Material: galvanised steel  
Supplied components:
- DN 160 seal O -ring
  - installation fixtures
  - safeguards against movement of the flexible piping
  - 10 DN 90 sealing rings
  - interior box insulation\*
  - inspection hatch

Airflow speed m/s	2	2,5	3
Volume m <sup>3</sup> /h (10x90)	320	400	480

\* hygienical

### RT2RQ-6x90/160-OC Direct distribution box



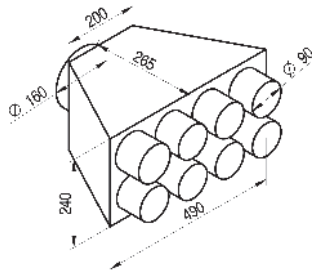
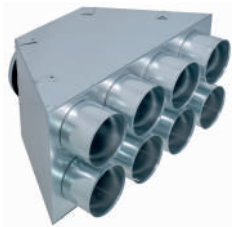
Material: galvanised steel

Supplied components:

- DN 160 seal O -ring
- installation fixtures
- safeguards against movement of the flexible piping
- 6 DN 90 sealing rings
- interior box insulation\*
- inspection hatch

Airflow speed m/s	2	2,5	3
Volume m <sup>3</sup> /h (6x90)	192	240	288

### RT2RQ-8x90/160-OC Direct distribution box



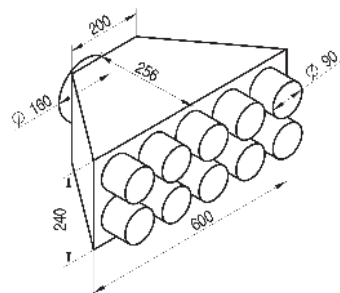
Material: galvanised steel

Supplied components:

- DN 160 seal O -ring
- installation fixtures
- safeguards against movement of the flexible piping
- 8 DN 90 sealing rings
- interior box insulation\*
- inspection hatch

Airflow speed m/s	2	2,5	3
Volume m <sup>3</sup> /h (8x90)	256	320	384

### RT2RQ-10x90/160-OC Direct distribution box



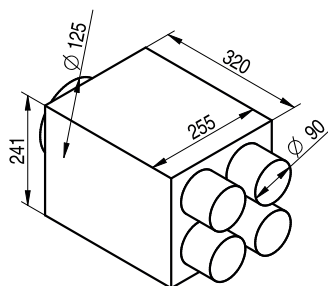
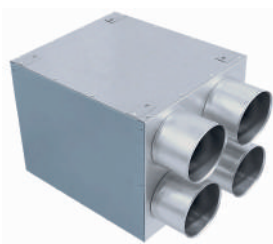
Material: galvanised steel

Supplied components:

- DN 160 seal O -ring
- installation fixtures
- safeguards against movement of the flexible piping
- 10 DN 90 sealing rings
- interior box insulation\*
- inspection hatch

Airflow speed m/s	2	2,5	3
Volume m <sup>3</sup> /h (10x90)	320	400	480

### RT2R-4x90/125-OC Direct distribution box



Material: galvanised steel

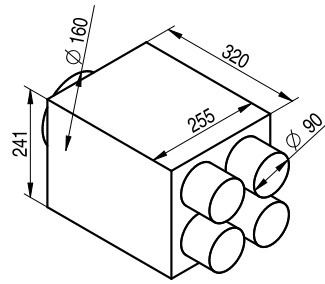
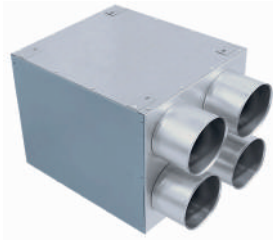
Supplied components:

- DN 125 seal O -ring
- installation fixtures
- safeguards against movement of the flexible piping
- 4 DN 90 sealing rings
- interior box insulation\*
- inspection hatch

Airflow speed m/s	2	2,5	3
Volume m <sup>3</sup> /h (4x90)	128	160	192

\* hygienical

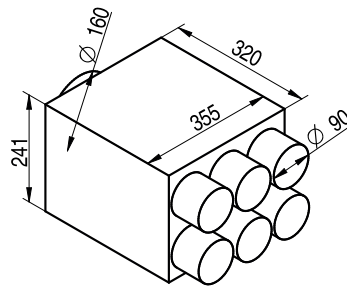
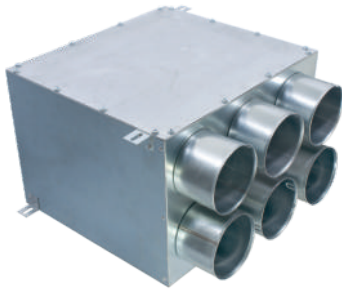
### RT2R-4x90/160-OC Direct distribution box



- Material: galvanised steel  
Supplied components:
- DN 160 seal O -ring
  - installation fixtures
  - safeguards against movement of the flexible piping
  - 4 DN 90 sealing rings
  - interior box insulation\*
  - inspection hatch

Airflow speed m/s	2	2,5	3
Volume m <sup>3</sup> /h (4x90)	128	160	192

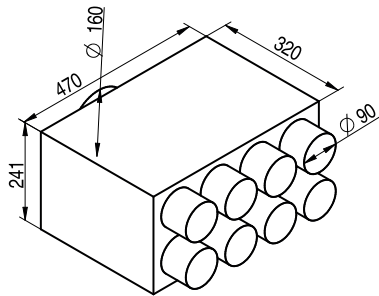
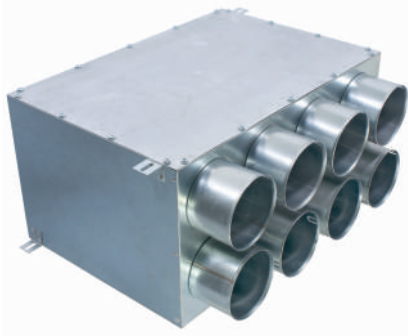
### RT2R-6x90/160-OC Direct distribution box



- Material: galvanised steel  
Supplied components:
- DN 160 seal O -ring
  - installation fixtures
  - safeguards against movement of the flexible piping
  - 6 DN 90 sealing rings
  - interior box insulation\*
  - inspection hatch

Airflow speed m/s	2	2,5	3
Volume m <sup>3</sup> /h (6x90)	192	240	288

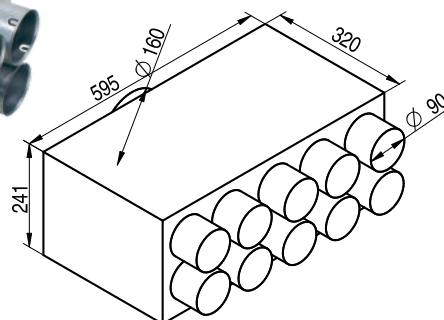
### RT2R-8x90/160-OC Direct distribution box



- Material: galvanised steel  
Supplied components:
- DN 160 seal O -ring
  - installation fixtures
  - safeguards against movement of the flexible piping
  - 8 DN 90 sealing rings
  - interior box insulation\*
  - inspection hatch

Airflow speed m/s	2	2,5	3
Volume m <sup>3</sup> /h (8x90)	256	320	384

### RT2R-10x90/160-OC Direct distribution box

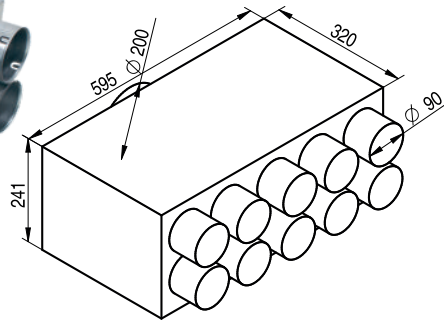
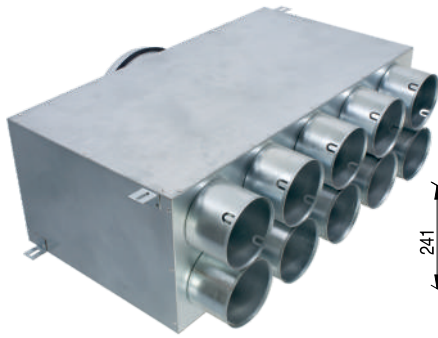


- Material: galvanised steel  
Supplied components:
- DN 160 seal O -ring
  - installation fixtures
  - safeguards against movement of the flexible piping
  - 10 DN 90 sealing rings
  - interior box insulation\*
  - inspection hatch

Airflow speed m/s	2	2,5	3
Volume m <sup>3</sup> /h (10x90)	320	400	480

\* hygienical

### RT2R-10x90/200-OC Direct distribution box



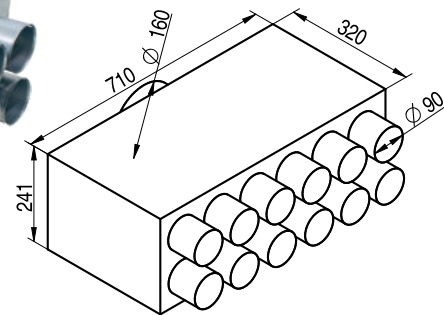
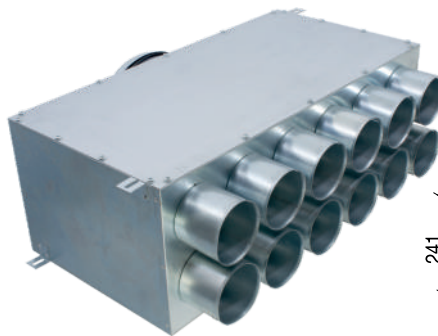
Material: galvanised steel

Supplied components:

- DN 200 seal O -ring
- installation fixtures
- safeguards against movement of the flexible piping
- 10 DN 90 sealing rings
- interior box insulation\*
- inspection hatch

Airflow speed m/s	2	2,5	3
Volume m <sup>3</sup> /h (10x90)	320	400	480

### RT2R-12x90/160-OC Direct distribution box



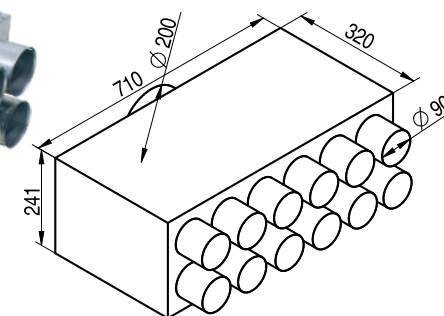
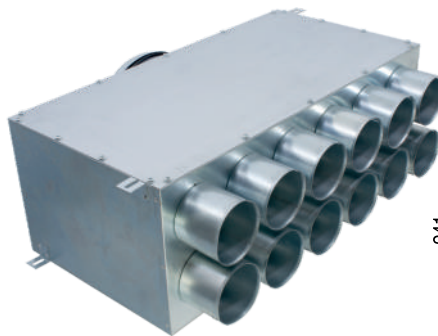
Material: galvanised steel

Supplied components:

- DN 160 seal O -ring
- installation fixtures
- safeguards against movement of the flexible piping
- 12 DN 90 sealing rings
- interior box insulation\*
- inspection hatch

Airflow speed m/s	2	2,5	3
Volume m <sup>3</sup> /h (12x90)	384	480	576

### RT2R-12x90/200-OC Direct distribution box



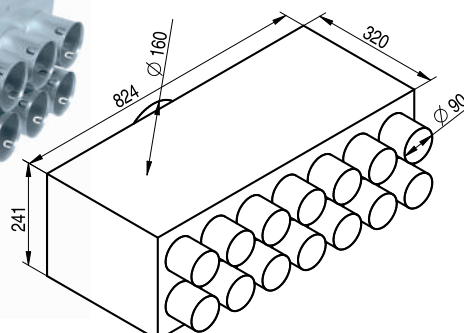
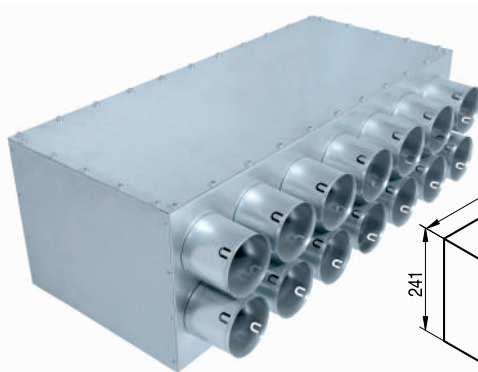
Material: galvanised steel

Supplied components:

- DN 200 seal O -ring
- installation fixtures
- safeguards against movement of the flexible piping
- 12 DN 90 sealing rings
- interior box insulation\*
- inspection hatch

Airflow speed m/s	2	2,5	3
Volume m <sup>3</sup> /h (12x90)	384	480	576

### RT2R-14x90/160-OC Direct distribution box



Material: galvanised steel

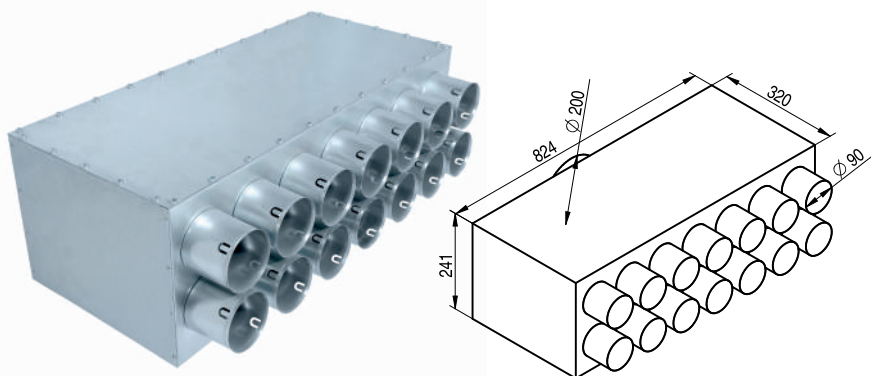
Supplied components:

- DN 160 seal O -ring
- installation fixtures
- safeguards against movement of the flexible piping
- 14 DN 90 sealing rings
- interior box insulation\*
- inspection hatch

Airflow speed m/s	2	2,5	3
Volume m <sup>3</sup> /h (14x90)	448	560	672

\* hygienical

### RT2R-14x90/200-OC Direct distribution box



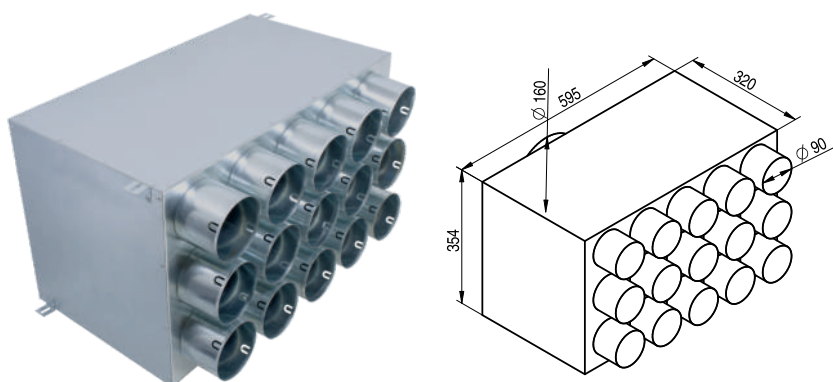
Material: galvanised steel

Supplied components:

- DN 200 seal O -ring
- installation fixtures
- safeguards against movement of the flexible piping
- 14 DN 90 sealing rings
- interior box insulation\*
- inspection hatch

Airflow speed m/s	2	2,5	3
Volume m <sup>3</sup> /h (14x90)	448	560	672

### RT3R-15x90/160-OC Direct distribution box



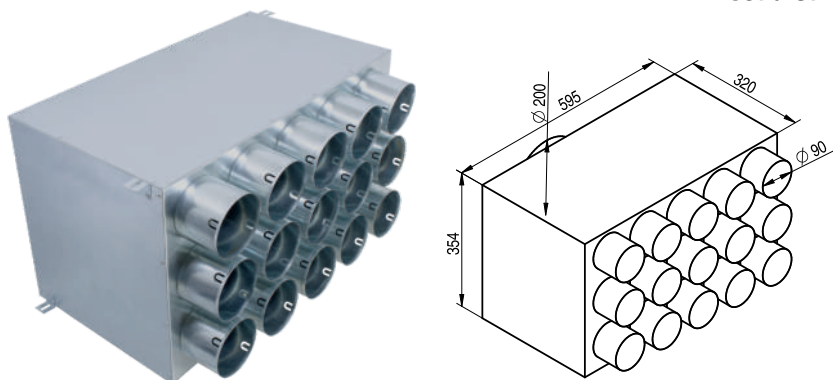
Material: galvanised steel

Supplied components:

- DN 160 seal O -ring
- installation fixtures
- safeguards against movement of the flexible piping
- 15 DN 90 sealing rings
- interior box insulation\*
- inspection hatch

Airflow speed m/s	2	2,5	3
Volume m <sup>3</sup> /h (15x90)	480	600	720

### RT3R-15x90/200-OC Direct distribution box



Material: galvanised steel

Supplied components:

- DN 200 seal O -ring
- installation fixtures
- safeguards against movement of the flexible piping
- 15 DN 90 sealing rings
- interior box insulation\*
- inspection hatch

Airflow speed m/s	2	2,5	3
Volume m <sup>3</sup> /h (15x90)	480	600	720

### MR-125 Mounting frame with rubber gasket



For easy installation of the SVV-90-125 plastic ceiling/ wall outlet and PLVE-O/125 plastic disc air (exhaust valve), or PLVE-P/125 (supply and exhaust valve). The mounting frame to be attached to a plasterboard structure. There is an attachment fitted with a rubber seal, which assures that the connection is extremely tight, around the perimeter. There are four installation apertures in the collar of the mounting frame.

Material:

- frame - galvanised steel

- seal - rubber

Diameter: 125 mm

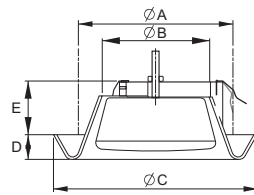
\* hygienical

### PLVE-O/125 Plastic disc air exhaust valve



Order code	A	B	C	D	E
	mm	mm	mm	mm	mm
PLVE-O/100*	100	70	138	20	45
PLVE-O/125	125	85	165	20	43
PLVE-O/150*	150	95	193	21	45
PLVE-O/160*	160	95	193	21	45
PLVE-O/200*	200	162	240	18	45

\* Made to order



Suitable for the KLO, SV wall or ceiling box  
Easy regulation of air-flow  
The aerodynamic design of the valve shape reduces noise made by exhausted air  
High resistance to temperature, up to 120 °C  
Low weight  
Clean using ordinary detergent

Material:

- valve - polypropylene (PP)
- sealing ring - polyurethane foam
- central screw, nut, compression spring - steel

Colour: white RAL 9011

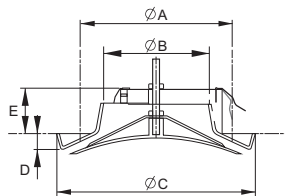
Packaging: in PE bags

### PLVE-P/125 Plastic disc air supply and exhaust valve



Order code	A	B	C	D	E
	mm	mm	mm	mm	mm
PLVE-P/100*	100	74	150	17	40
PLVE-P/125	125	93	180	20	40
PLVE-P/150*	150	113	205	23	35
PLVE-P/160*	160	113	205	23	35
PLVE-P/200*	200	165	245	22	45

\* Made to order



Suitable for the KLO, SV wall or ceiling box, for installation frame  
Easy regulation of air-flow  
The aerodynamic design of the valve shape reduces noise made by exhausted air  
High resistance to temperature, up to 120 °C  
Low weight  
Clean using ordinary detergent

Material:

- valve - polypropylene (PP)
- sealing ring - polyurethane foam
- central screw, nut, compression spring - steel

Colour: white RAL 9011

Packaging: in PE bags

### REVE/125 Disc valve with air-flow regulator



For supply and exhaust ventilation of residential rooms

- Installation into supply or exhaust ducts of a diameter of 125 mm, by insertion – without using pins, screws or other securing elements
- Manual regulation of air-flow using a nine-position sliding regulator, which controls extension of the internal flange
- A circular cover in matt white or black



Material:

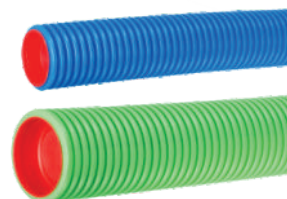
- valve - polyethylene (PE)
- cover - Ø 23 cm  
0,8 mm powder-coated steel
- The set includes seals to ensure that the valve is properly seated in the duct and installation is completely tight

## Other accessories

### End cap

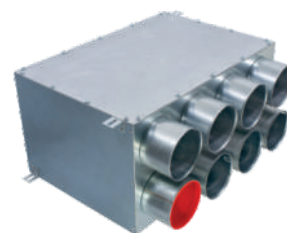
- Material: PE-HD  
• for flexible piping

For pipe dimensions DN	75	90
Order code	ZA-75	ZA-90



- for box outlets

End cap for box DN	75	90
Order code	ZAB-75	ZAB-90



### Exterior connector for connecting the flexible piping

- Material: PP

For pipe dimensions DN	75	90
Order code	ZV-75	ZV-90



### Sealing ring for connecting the flexible piping

- Material: EPDM

- for connecting the flexible piping

For pipe dimensions DN	75	90
Order code	UV-75	UV-90



- for connecting the flexible piping to the box

For pipe dimensions DN	75	90
Order code	UVB-75	UVB-90



- for connecting the flexible piping to the plastic box

For pipe dimensions DN	75	90
Order code	UVB-75-PC	UVB-90-PC



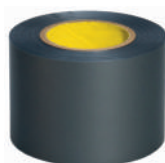
### PVC self-adhesive tape

- Material: PVC, synthetic rubber based adhesive sheet  
Colour: grey

- min. application temperature from +10 °C,  
operating temperature up to +85 °C

For joining and sealing metal and plastic piping

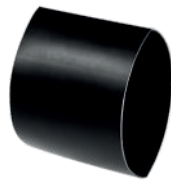
For joining and securing foam insulation and polyurethane insulation coated with PVC



Order code	Width mm	Length m	Thickness mm	Tensile strength N/10 mm	Elongation at break %	Adhesion to steel N/10 mm
PAL-411	50	20	0,13	20	180	2,3

### Shrink-seal connectors

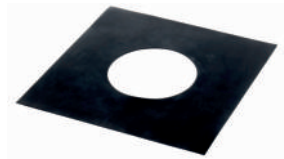
Heat-shrink pipe connector  
 For sealing connections between pipes and boxes  
 Length 1000 mm  
 Application using a hot-air gun  
 Moulds to the pipe surface



For pipe dimensions DN	75	90
Order code	STS01	STS02

### TM-125 Sealing collar

For metal and plastic  
 Ø 110-140 mm outlet vents  
 Weather, UV resistant, ozone  
 Material: EPDM  
 Colour: black



### Plastic elbow

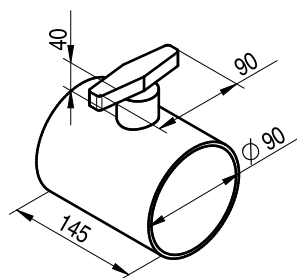
For 90° pipe installation in places where the bend of flexible duct is not sufficient  
 Material: ABS  
 Supplied components:  
 • 2 DN 75 or DN 90 sealing rings  
 • 2 locking pins



For pipe dimensions DN	75	90
Order code	KP-75	KP-90

### RK-90 Airflow damper DN 90

For manually regulating the volume of air in the air-conditioning route  
 Inlet and outlet intended for KLIMAFLEX SB 90 mm pipes  
 Secure the pipe in the flap using air-tight tape  
 Material: PP  
 Parts:  
 • locking nut for securing the position of the reducing valve



### Knife for cutting ventilation pipes

For cutting pipes of an external diameter of 75 mm (code NKF-75) or 90 mm (code NKF-90) in a straight line without leaving burrs  
 Easy replacement of the blade  
 Spare blades stored in the handle of the knife

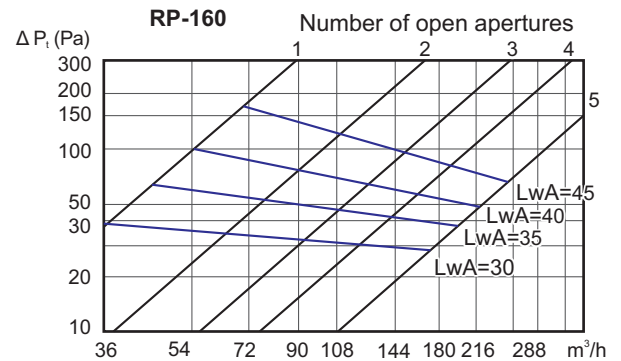
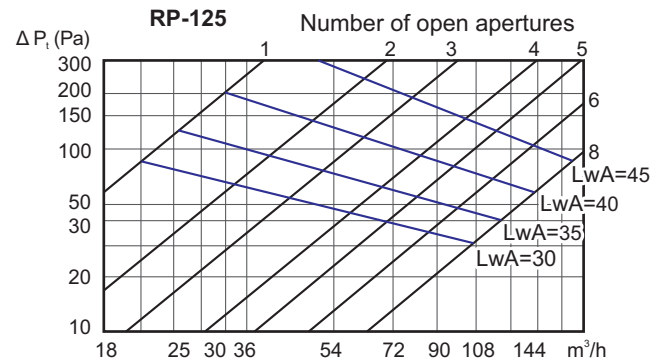
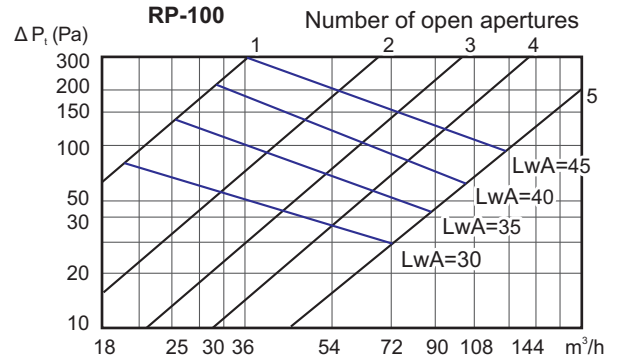
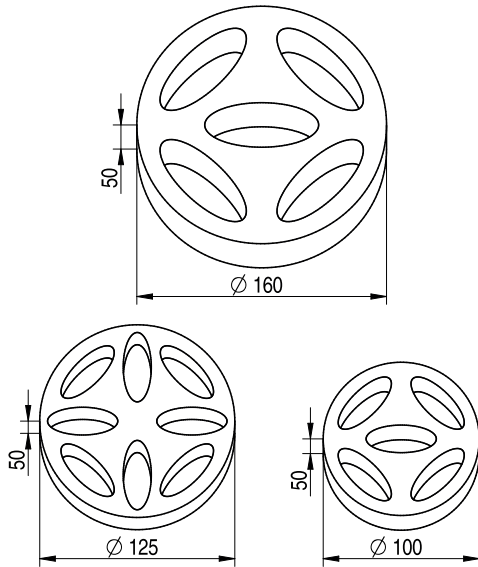


For pipe dimensions DN	75	90
Order code	NKF-75	NKF-90



## RP Flow-through regulator with damper

Special damping foam  
The air flow-through is regulated by means of the number of open apertures



Damping of dB in frequency band (Hz)

Type	Number of open apertures	63 Hz	125 Hz	250 Hz	500 Hz	1 kHz	2 kHz	4 kHz	8 kHz
RP-100	1	6,5	7	4	9,5	13	16	18	22
	3	3	3,5	2,5	5,5	8,5	8,5	15	19
	5	1,5	2,5	1,5	3,5	6	6,5	12	17
RP-125	2	5,5	6,5	7	6,5	10	15	19	21
	5	2	2	2,5	3	8,5	8	14	19
	8	1	1,5	1,5	2,5	6	6	11	18
RP-160	1	6,5	7	4	9,5	13	16	18	22
	3	2,8	3,5	2,5	5,8	8,5	8,7	14,5	19
	5	3	3,5	2,5	5,5	8,5	8,5	15	20

## Noise damper

Enables achievement of a significant noise damping effect in circular pipes.

Material:

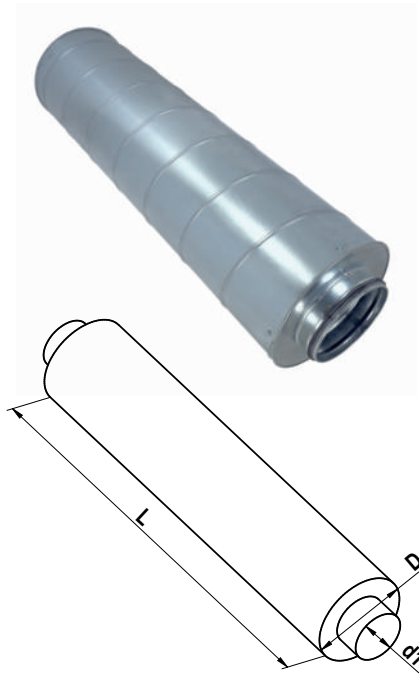
- external casing galvanised metal sheet
- internal casing perforated galvanised metal sheet

Damping layer:

- mineral wool with nonwoven textile

Outlet component:

- radial shaft seal



Order code	Internal diameter d1 mm	External diameter D mm	Length L* mm
TH50* 100/0200/0900/S	100	200	900
TH50* 125/0224/0900/S	125	224	900
TH50* 160/0250/0900/S	160	250	900
TH50* 200/0315/0900/S	200	315	900
TH50* 250/0355/0900/S	250	355	900

\*additional dimensions on request

Damping of dB in frequency band (Hz)

f /Hz/	63	125	250	500	1k	2k	4k	8k	Di on LAeq,T /dB/ **
Order code	Di /dB/ acoustic damping effect								
TH50 0100/0200/0900/S	5	17	26	34	30	34	37	25	26,0
TH50 0125/0224/0900/S	3	13	20	32	29	35	31	21	23,0
TH50 0160/0250/0900/S	2	9	13	27	32	39	26	15	20,4
TH50 0200/0315/0900/S	3	6	12	20	24	23	15	12	14,4
TH50 0250/0355/0900/S	5	2	6	11	15	9	7	5	7,5
TH50 0315/0400/0900/S	3	1	5	12	16	14	8	5	8,0
TH50 0400/0500/0900/S	7	1	6	9	10	7	6	5	6,4

\*\*equivalent acoustic pressure level LAeq,T in dB

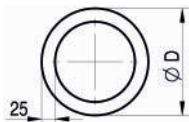


## THFLEXI noise damper

Substantially reduces noise in the air distribution system

Material:

- external laminated aluminium foil cladding
- internal layer made from hydrophobic nonwoven polypropylene fabric reinforced with steel wire
- insulation layer consisting of 25 mm glass fibre



Order code	External diameter D mm	Insulating layer thickness mm	Minimum bend radius mm	Length in box m	Box dimensions mm
THFLEXI 0160/10000	160	25	112	10	230x235x1000
THFLEXI 0200/10000	200	25	133	10	265x265x1000

## Installation of KLIMAFLEX SB pipes to KL, KLO, KLOZ and RT boxes



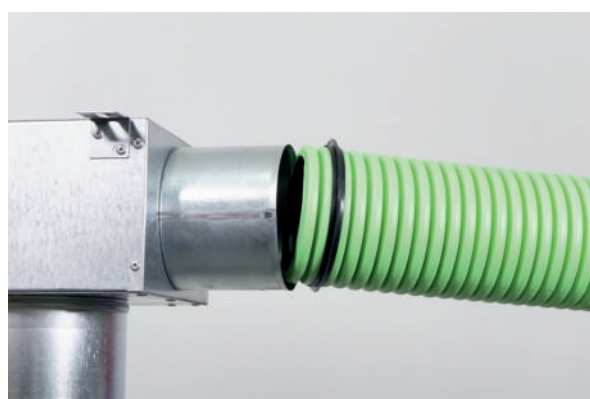
1) Cut the pipe to the required length at the groove in the corrugation.



2) Fit a sealing ring to the 2<sup>nd</sup> or 3<sup>rd</sup> groove.



3) Apply lubricant to the interior surface of the outlet.\*



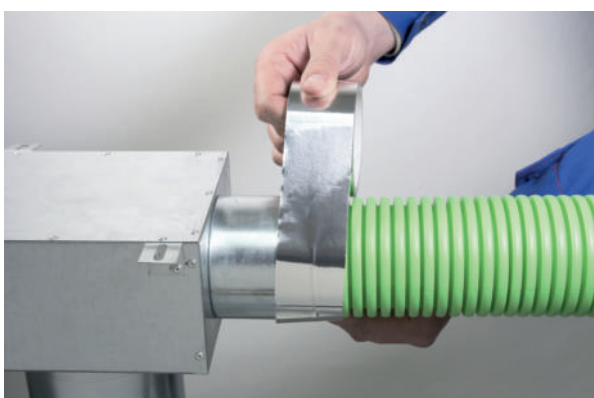
4) Insert the pipe as far as it will go.



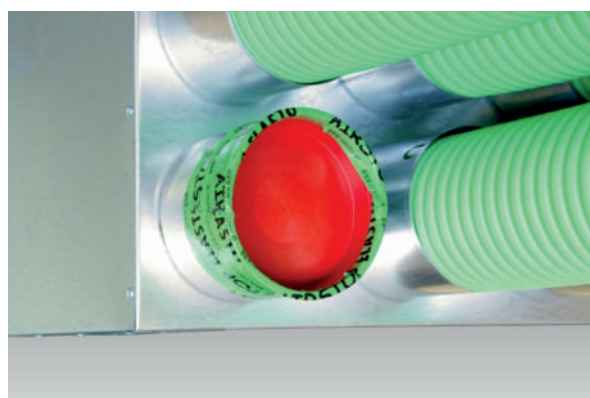
5) Press both locks to prevent the pipe from sliding out.



6) Correct lock position.



7) Secure the connection using air-tight self-adhesive tape.



8) We recommend that the end caps on unused and sealed outlets be secured using air-tight self-adhesive tape.

\* E.g. washing-up liquid, silicone oil etc. Petroleum-based oils, lubricating grease and solvents **MUST NOT BE USED.**

## Installation of the plastic disc valve



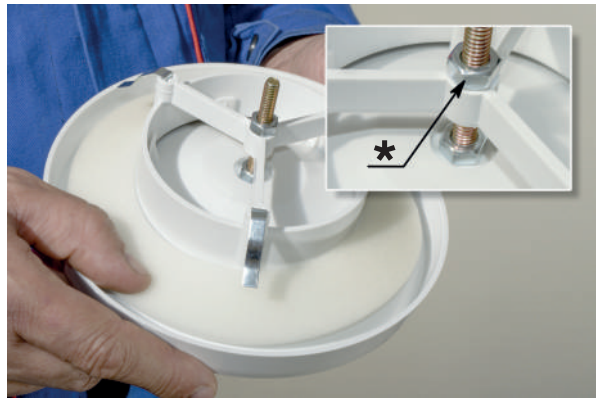
1) Press the plastic disc valve into the anchored ventilation system outlet.



2) Insert the valve as far as it will go towards the ceiling/wall structure.



3) Regulate the air-flow by rotating the central disc, which modifies the valve opening.



4) After adjusting to the required air-flow rate, disassemble the valve by removing it, and lock the central disc using the securing nut\*.



5) Re-install the valve and check that it is firmly seated in the structure.

## Maintenance and cleaning of air-distribution systems

### Cleaning distribution boxes

Type RT2R and RT3R direct distribution boxes allow inspection and cleaning after removal of the inspection door, figure 1. Type KL flat distribution boxes allow inspection and cleaning following disassembly from the connected ducting, figure 2. Wipe the interior of the box with a damp cloth or carefully vacuum the interior. Proceed carefully to avoid damaging the surface of the interior insulation.

### Cleaning of KLIMAFLEX SB air-distribution ducts

The DN 125 cleaning kit is intended for cleaning flexible KLIMAFLEX SB ducting. This kit consists of an attachment, mini-winch (14,5 m) with brush and replacement seals for the mounting frames, figure 7. You must remove all air-conditioning elements from the ducting, e.g. flow regulators, before cleaning. Disconnect the heat recovery unit from the power supply. Access is through the ceiling/wall boxes, or from the other end of the route through the distribution boxes, figure 1 and figure 2.

Procedure through the room exhaust vents: screw the brush firmly onto the end of the mini-winch. Fit the mini-winch bowden to the attachment, guide the brush through the box pipe into the duct by hand. Fit the attachment to the mouth of the pipe and finally insert the narrowed end of the vacuum nozzle\*\* into the attachment opening  $\varnothing$  35 mm, fig. 4 and 5. Clean the ducting by pulling, after switching the vacuum on.

If cleaning is performed through the distribution box, fig. 6, the vacuum is simultaneously connected to the box pipe attachment at the other end of the ducting route. If a plastic elbow is installed in a DN 75 air-conditioning route, you must perform the cleaning procedure from both ends. From the room vent end and through the distribution box.

We do not recommend use of other types of hard brush (steel, etc.), which could damage the interior surface of the air-conditioning ducting.

### Cleaning the disc valves

Remove the valve from the ceiling/wall structure by pressing at the side and sliding it out of the box pipe, figure 3. Remove any dirt using a soft brush, vacuum or water with standard detergent.

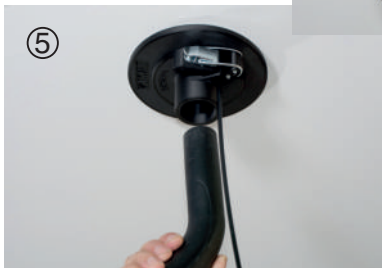
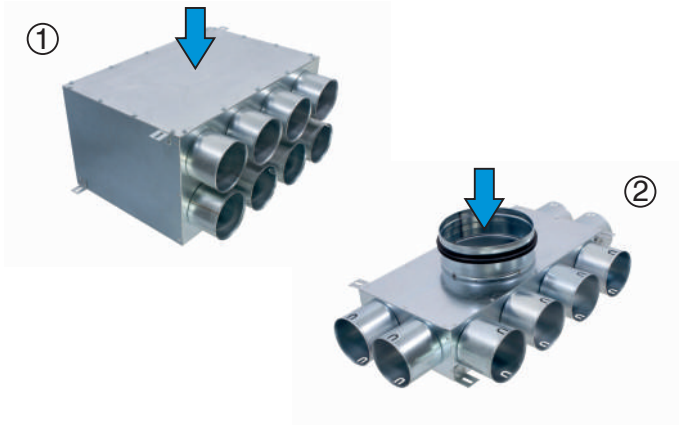
### Cleaning the interior surface of the ceiling/wall box pipes

After removing the valve, figure 3, you can easily reach into the interior of the box pipe. Clean using a vacuum or a dry cloth.

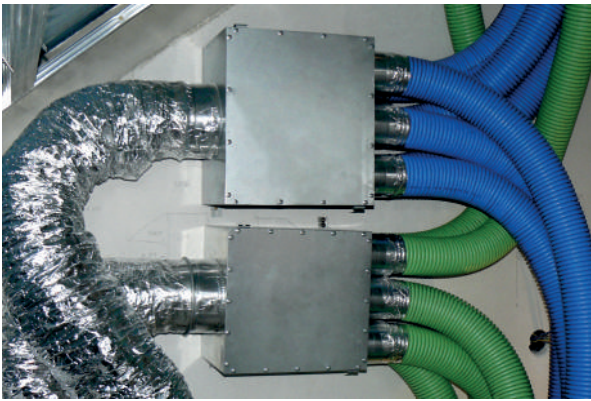
### Recommendations

We recommend you contract servicing / maintenance with a qualified professional company during installation of the heat recovery system.

\*\* Tested by vacuum cleaner: power input 1 100 W, maximum suction 270 mbar = 27 kPa.



Project design and execution of construction work including HRV






## The advantages of using KLIMAFLEX accessories and pipes




- speed and simplicity of installation
- adaptability to the type of installation
- increased flexibility while retaining mechanical durability
- low weight
- easy modification of pipe length
- anti-bacterial and anti-fungal treatment applied to the interior of the pipe
- low acquisition costs compared to other types of distribution system
- uniform air distribution
- low pressure losses in the pipeline
- sealing rings for connecting the pipes to the boxes are included in the delivery
- no material losses, left-over pipes can be used by inserting a connector




## Recommendations:

- the available pressure must be verified on long routes (over 15 m)
- secure connections between the boxes and the pipes using air-tight tape
- recommended maximum air-flow speed up to 3 m/s
- protect the ends of pipes against dust and dirt by fitting end caps (included in the delivery) after installation and before starting operation
- projects and installation should be realised according to the relevant building regulations and guidelines valid at the site of installation
- the maximum distance between anchoring strips when installing beneath the ceiling is 1000 mm
- condensate removal must be resolved when distributing moist air
- insulate pipeline (insulation thickness 20 mm):
  - a) if the pipeline is used to carry cooled air and leads through a warm room
  - b) if the pipeline leads through a space with a lower temperature than the temperature of the transported air – the heat-loss requirements of the relevant standards (the thermal conductivity of the pipe wall is approx. 0,28-0,30 W/mK, thermal resistance is approx. 0,034-0,040 m<sup>2</sup> K/W)

## Air flow rate

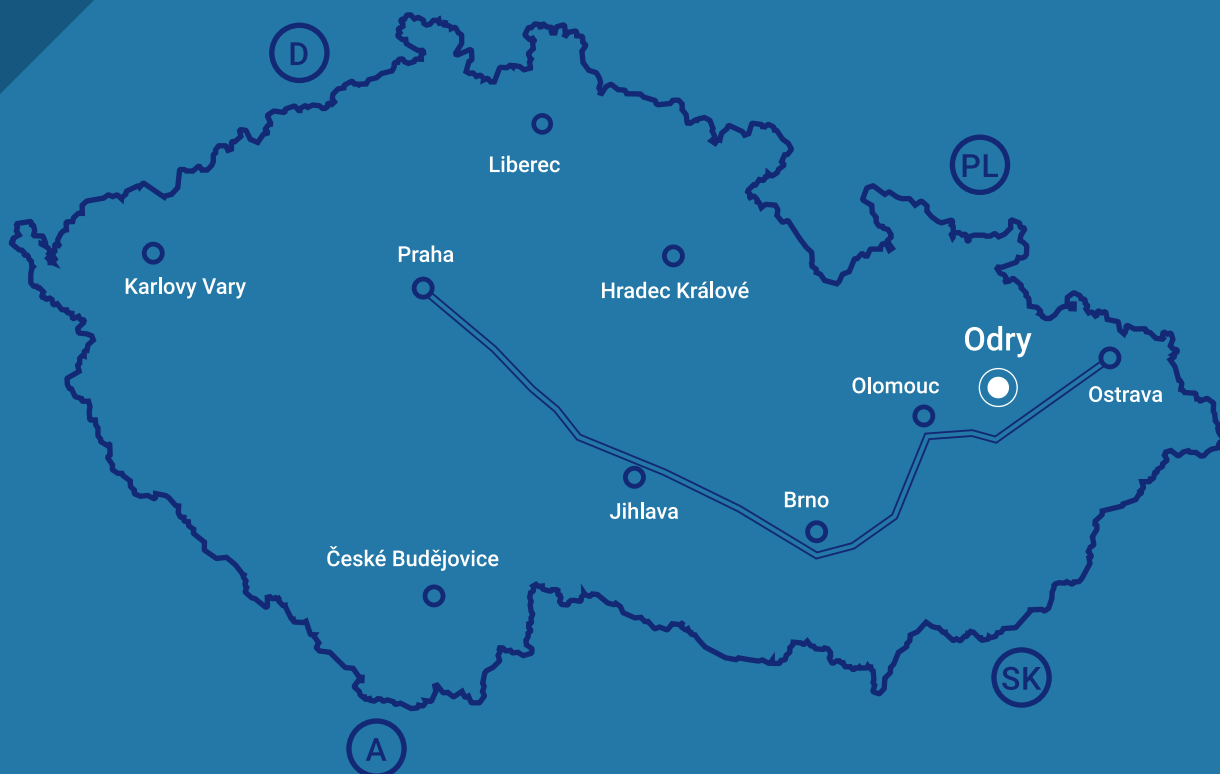
KLIMAFLEX SB DN 63 (m <sup>3</sup> /h)			
Number of tubes	Air flow speed		
	2 m/s	2,5 m/s	3 m/s
	14,7	18,4	22,1
	29,4	36,8	44,2
	44,1	55,2	66,3

KLIMAFLEX SB DN 75 (m <sup>3</sup> /h)			
Number of tubes	Air flow speed		
	2 m/s	2,5 m/s	3 m/s
	21,7	27,2	32,6
	43,4	54,4	65,2
	65,1	81,6	97,8

KLIMAFLEX SB DN 90 (m <sup>3</sup> /h)			
Number of tubes	Air flow speed		
	2 m/s	2,5 m/s	3 m/s
	31,8	39,8	47,7
	63,6	79,6	95,4
	95,4	119,4	143,1

Housing project "SKY Barrandov" in Prague 5





MATEICIUC a.s.

Ke Koupališti 370/15,  
CZ-742 35 Odry  
telefon: +420 556 312 411  
e-mail: [marketing@mateiciuc.cz](mailto:marketing@mateiciuc.cz)  
[www.mat-plasty.com](http://www.mat-plasty.com)